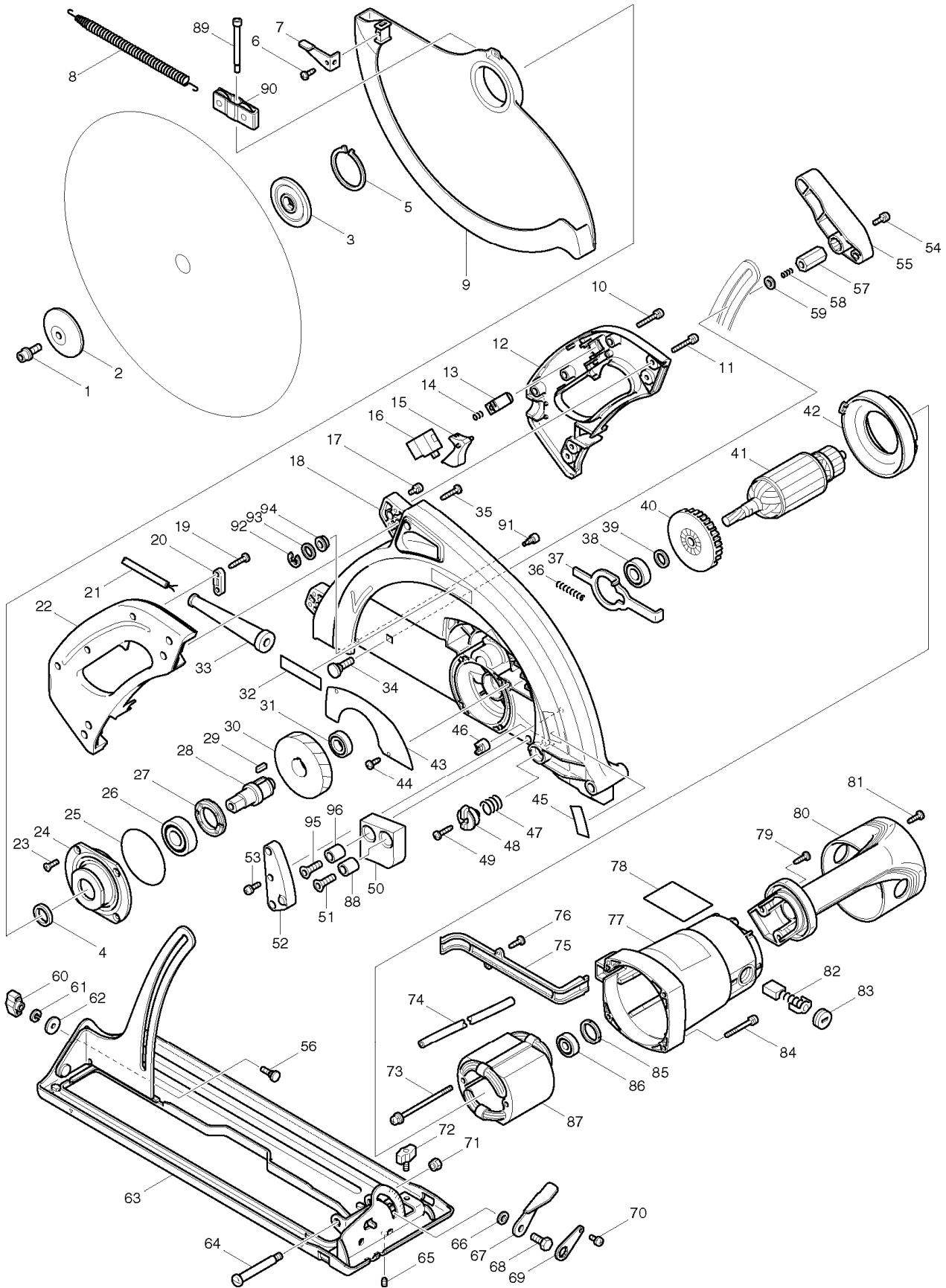




Parts Breakdown

5402NA





## Parts Breakdown

5402NA

ItemNo	PartID	PartName	Quantity
1	265408-7	H. S. H. BOLT M8X20, 5201N	1
2	224310-3	OUTER FLANGE, LS1440	1
3	224264-4	INNER FLANGE 65, LS1440	1
4	257230-6	RING 20, 5402A	1
5	961252-7	RETAINING RING S-55, 5201NA	1
6	266026-4	TAPPING SCREW 4X12,9046	1
7	344966-7	LEVER, 5402NA	1
8	231826-1	TENSION SPRING 6, 5402NA	1
9	317377-9	SAFETY COVER, 5402NA	1
10	911148-2	P.H. SCREW M4X25, 5057KB	3
10	911153-9	P.H. SCREW M4X28, JR3000V	3
11	911253-5	P.H. SCREW M5X30, 2030S	4
12	183291-9	HANDLE SET,5402NA	1
12	183532-3	HANDLE SET,5402NA	1
13	417117-6	LOCK-OFF BUTTON, 5402NA	1
14	233284-7	COMPRESSION SPRING 5, 5402NA	1
15	417115-0	SWITCH LEVER, 5402NA	1
16	651985-9	SWITCH TG70B-2	1
17	652014-1	GROUNDING SCREW M4X8, 2400	1
18	183307-0	BLADE CASE,5402NA	1
19	265995-6	TAPPING SCREW 4X18, 4323K	2
20	687053-2	STRAIN RELIEF, UM401DW	1
21	664850-3	POWER SUPPLY CORD (3X14X16 SJ)	1
22	183291-9	HANDLE SET,5402NA	1
22	183532-3	HANDLE SET,5402NA	1
23	265034-2	C.S.H. SCREW, 5740NB	4
24	317378-7	BEARING BOX, 5402NA	1
25	213763-1	O RING 75,5402NA	1
26	211329-1	BALL BEARING 6204DDW, LC1230	1
27	285824-7	BEARING RETAINER 31-48, 2711	1
28	323938-5	SPINDLE, 5402NA	1
29	254229-2	KEY 5, HR4000C	1
30	226526-6	HELICAL GEAR 62	1
31	211201-7	B. BEARING 6002LLB, 6510LVR	1
32	819064-1	MAKITA MARK, HM1100C	1
33	682564-2	CORD GUARD, 5007NLK	1
34	265845-5	C.S.N.BOLT M8X30,5037NB	1
35	265995-6	TAPPING SCREW 4X18, 4323K	2
36	233264-3	COMPRESSION SPRING 5, 5007NLK	1
37	344890-4	SHAFT LOCK, 5402NA	1
38	211228-7	BALL BEARING 6202DDW, HM1303B	1
39	253147-1	F. WASHER 15, 5037NB	1
40	241870-0	FAN 80, HM1304B	1
41	516836-2	ARMATURE ASSY, 5402NA	1
42	417278-2	BAFFLE PLATE, 5402NA	1
43	344891-2	COVER PLATE, 5402NA	1
44	266026-4	TAPPING SCREW 4X12,9046	2
45	816374-7	INDICATION LABEL	1
46	417280-5	STOPPER PIN, 5402NA	1
47	233272-4	COMPRESSION SPRING 16, 5402NA	1
48	417279-0	LOCK LEVER, 5402NA	1
49	266045-0	TAPPING SCREW 4X20, 9046	1
50	421820-3	RUBBER CUSHION, 5402NA	1
51	251973-2	H.S.H. BOLT M8X25	1
52	417282-1	STOPPER PLATE, 5402NA	1
53	911113-1	P.H. SCREW M4X10, 4301BV	1
54	911113-1	P.H. SCREW M4X10, 4301BV	1
55	417281-3	LEVER 98, 5402NA	1



## Parts Breakdown

5402NA

ItemNo	PartID	PartName	Quantity
56	251919-8	C.S.N. BOLT M6X20, 4200H	1
57	252165-6	HEX. NUT M8-35, 5402NA	1
58	231485-1	COMPRESSION SPRING 4	1
59	941201-0	F. WASHER 8, 5037NB	1
60	252624-0	KNOB M6, 5007NB	1
61	942151-2	SPRING WASHER 6, 5007NB	1
62	253010-8	F. WASHER 6, 5402A	1
63	163426-8	BASE	1
64	251405-9	SCREW M10,5402A	1
65	266208-8	HEX SOCKET HEAD BOLT M6X8, 5044KB	1
66	941201-0	F. WASHER 8, 5037NB	1
67	344980-3	LEVER PLATE, 5402NA	1
68	921432-7	HEX BOLT M8X20, 5177B	1
69	341415-5	LOCK PLATE, 5057KB	1
70	911108-4	P.H. SCREW M4X8, LS1013	1
71	252105-4	HEX LOCK NUT M8-13, HM1800	1
72	251858-2	SCREW M6X15, 5037NB	1
73	911945-6	P.H. SCREW M5X85	2
74	683393-6	TUBE 4-5-220	1
75	417276-6	LEAD COVER, 5402NA	1
76	266026-4	TAPPING SCREW 4X12,9046	2
77	152907-7	MOTOR HOUSING CPL.	1
78	852883-2	NAME PLATE, 5402NA	1
79	266027-2	TAPPING SCREW M5X16, 5402NA	2
80	417277-4	FRONT HANDLE, 5402NA	1
81	266027-2	TAPPING SCREW M5X16, 5402NA	2
82	191953-5	CARBON BRUSH SET CB-203, LS1211	1
83	643700-5	BRUSH HOLDER CAP 7-18 , HM1500B	2
84	911263-2	P.H. SCREW M5X40, 2711	4
85	261081-1	URETHANE WASHER 25, LS1030	1
86	211066-7	B. BEARING 6200LLB, BO4552	1
87	526106-1	FIELD ASSY 115V, 5402NA	1
88	257720-9	SLEEVE 8, 5402NA	1
89	266290-7	H.S.H. BOLT M5, 5402NA	1
90	163431-5	ROLLER CPL.	1
91	266289-2	H.S.H. BOLT M6, 5402NA	1
92	961017-7	STOP RING E-3, 4304	1
93	267099-0	FLAT WASHER 4, 6201D	1
94	262104-8	SHOULDER RING 4, 5402NA	1
95	251973-2	H.S.H. BOLT M8X25	1
96	257720-9	SLEEVE 8, 5402NA	1
1001	164019-4	GUIDE RULE, 5201NA	1
1002	A-90956	T.C. BLADE,32T,16-5/16	1
1003	783204-6	HEX WRENCH, 3705, HR5000	1